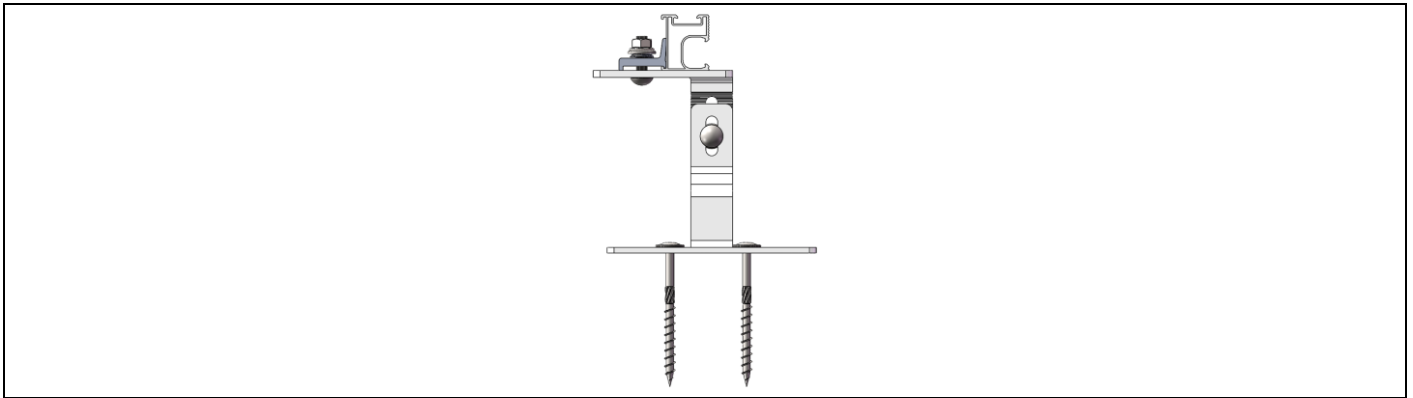


## Adjustable Tile Interface, Landscape

### Assembly

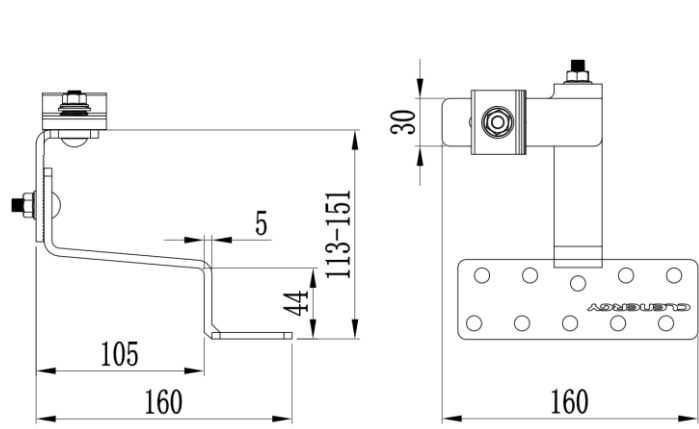


### Component



Tile Interface, adjustable for light to medium snow load, Landscape  
Part No.: ER-I-PRO/01A/LS/DC (bar code: 12-003-00126)

### Technical Specification

<b>Application</b>	Tile Roof with Timber Purlin	
<b>Screw Specification</b>	2 x Wood screws M8*100, T40, Electro Galvanised	
<b>Dimensions</b>	L160*W160*H113-151*T5mm	
<b>Weight</b>	0.677 kg	
<b>Packaging</b>	10 units per pack, 2 packs (20 units) per carton	
<b>Material</b>	Roof Hook: SUS304 Bolts/Washer/Nuts/Spring: SUS304 Cross Connector for DC Rail: AL6005-T5	
<b>Standard</b>	GB50797   AS NZS1170.2   EN1991   JISC8955   ASCE 7-10	